



Marine Porthole

 **ZHIYOU MARINE**
Marine & Offshore Equipment Supplier

Shanghai Zhiyou Marine & Offshore Equipment Co., Ltd

Web: www.marineoutfittings.com

Email: info@marineoutfittings.com

Tel: +86 21 5645 2367

Brief

Marine porthole (also called marine scuttle) is a kind of small and circle shaped window which is installed on the side of bulkhead, superstructure and enclosed bulkhead of deck cabins. The heavy type of marine portholes are watertight and mostly equipped with storm covers. The medium and light types are weathertight and installed above the waterline of ships.

Zhiyou Marine can also provide marine fireproof portholes.

Specification

Customized design/production is available.

Fixed and openable marine portholes for your selection.

Ready for welding or bolting directly to bulkhead or wall.

Regular dimension at $\Phi 200$, $\Phi 250$, $\Phi 300$, $\Phi 350$, $\Phi 400$, $\Phi 450$ mm.

Available in natural finish, primed or coated in accordance with specific requirements.

Material of frame can be marine steel, aluminum alloy and copper.

Accessories materials are marine steel or stainless steel.

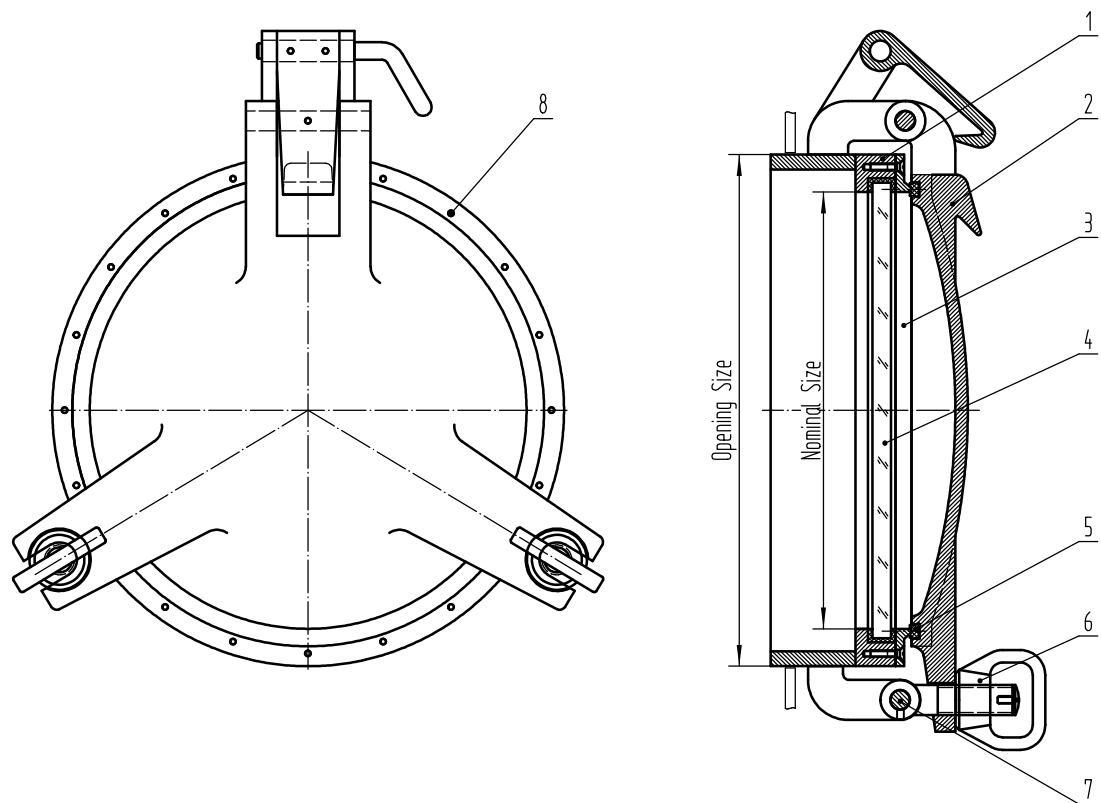
Other requirements.

Dimensions

Nominal Size	Bulkhead Cutting Size	Frame Size
$\Phi 200$	$\Phi 253$	$\Phi 280$
$\Phi 250$	$\Phi 308$	$\Phi 330$
$\Phi 300$	$\Phi 363$	$\Phi 380$
$\Phi 350$	$\Phi 413$	$\Phi 430$
$\Phi 400$	$\Phi 463$	$\Phi 480$
$\Phi 450$	$\Phi 513$	$\Phi 530$

*Note: Contained within the sheet above are dimensions for reference only, customized solution or any other requirements please [contact us](#).

The drawings are for reference only, not used as production drawings. 此圖紙僅供參考，不作為生產圖紙。

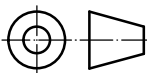


8	Bolt Hole	-	
7	Hinge Pin	Stainless Steel/Copper	
6	Locker	Marine Steel/Copper	
5	Sealing	Rubber	
4	Glass	-	
3	Glass Retainer	Marine Steel/Copper/Aluminum Alloy	
2	Storm Cover	Marine Steel/Aluminum Alloy	Optional
1	Window Frame	Marine Steel/Copper/Aluminum Alloy	
NO.	NAME	MATERIAL	REMARK

Note:

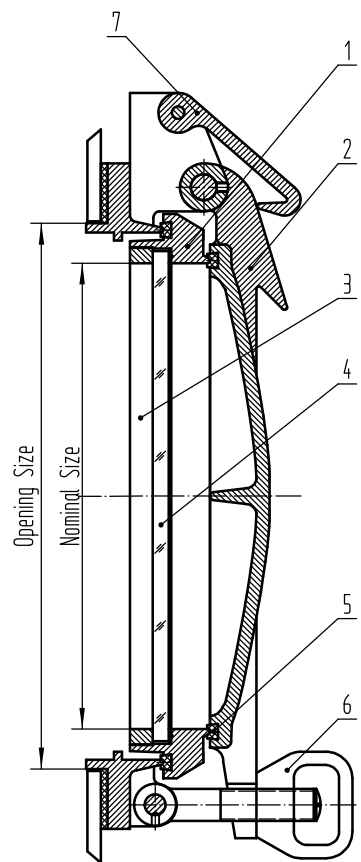
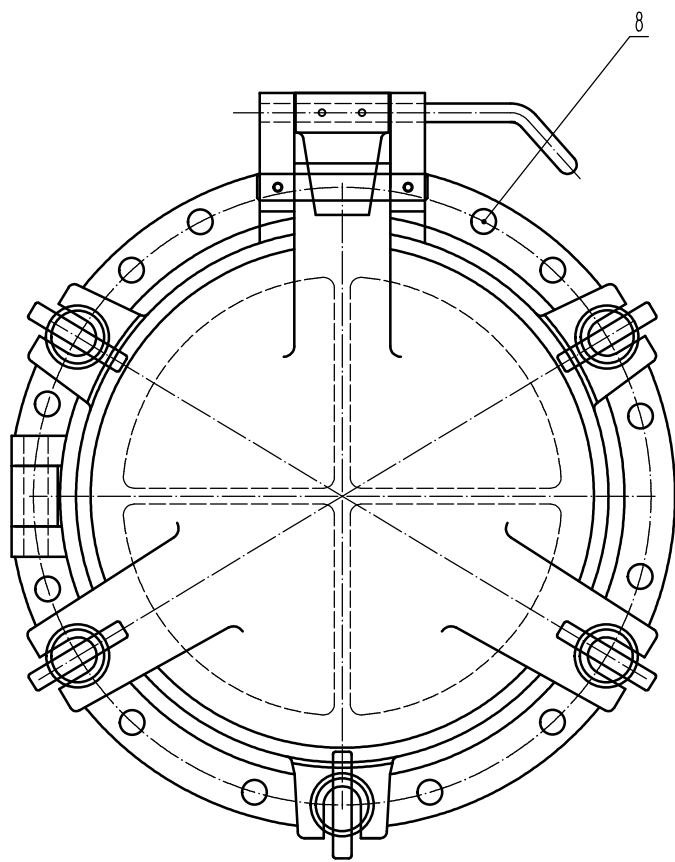
- 1, Model of installation: welding model & bolted model.
- 2, Materials to be used shall not be subject to all the abovementioned hereof on the table and shall be optional accordingly.


 Shanghai Zhiyou Marine & Offshore Equipment Co., Ltd
 Room 405, Fudan Software Park, 188 Changyi Road, Shanghai China.
 Tel: +86-21-5645-2367
 Email: sales@zhiyoumarine.com info@marineoutfittings.com
 Web: www.zhiyoumarine.com www.marineoutfittings.com

1			Dwg Name	Marine Fixed Scuttles			
Rev	Description	Date		Scale	1:1 @A3	Dwg No.	ZY-W-002-01
Note	All dimensions are in millimeters unless otherwise specified.			Sheet	1/2	GB/T 14413-1993	

The drawings are for reference only, not used as production drawings. 此圖紙僅供參考，不作為生產圖紙。

The drawings are for reference only, not used as production drawings. 此圖紙僅供參考，不作為生產圖紙。



8	Bolt Hole	-	
7	Hook	Aluminum Alloy	
6	Locker	Marine Steel/Aluminum Alloy	
5	Sealing	Rubber	
4	Glass	-	
3	Glass Retainer	Copper/Aluminum Alloy	
2	Storm Cover	Marine Steel/Aluminum Alloy	Optional
1	Window Frame	Marine Steel/Copper/Aluminum Alloy	
NO.	NAME	MATERIAL	REMARK

Note:

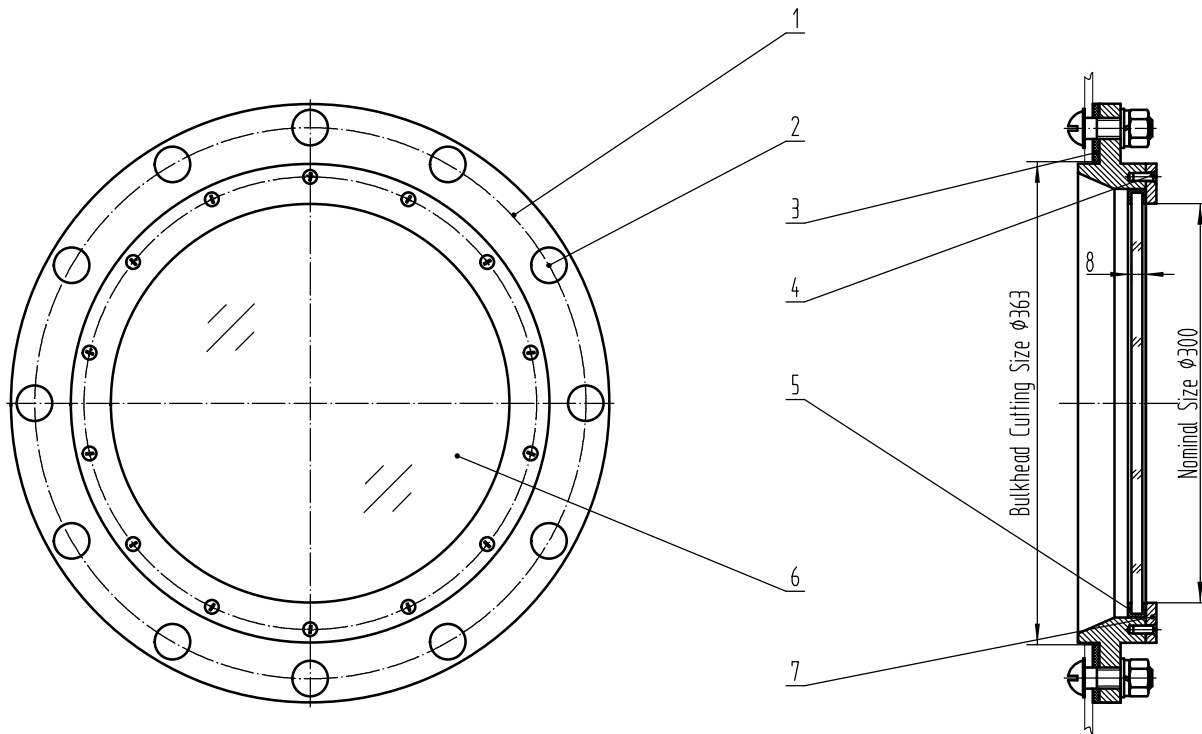
- 1, Model of installation: bolted model.
- 2, Materials to be used shall not be subject to all the abovementioned hereof on the table and shall be optional accordingly.

Shanghai Zhiyou Marine & Offshore Equipment Co., Ltd
 Room 405, Fudan Software Park, 188 Changyi Road, Shanghai China.
 Tel: +86-21-5645-2367
 Email: sales@zhiyoumarine.com info@marineoutfittings.com
 Web: www.zhiyoumarine.com www.marineoutfittings.com


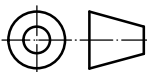
1		Dwg Name	Marine Openable Scuttles	
Rev	Description	Date	Scale	1:1 @A3
Note	All dimensions are in millimeters unless otherwise specified.		Sheet	2/2
			Dwg No.	ZY-W-002-02
			GB/T 14413-1993	

The drawings are for reference only, not used as production drawings. 此圖紙僅供參考，不作為生產圖紙。

The drawings are for reference only, not used as production drawings. 此圖紙僅供參考，不作為生產圖紙。



7	Retainer	1	Aluminum Alloy	t=6
6	Glass	1	Safety Toughness Glass	t=8
5	Sealing	1	Rubber	EPDM
4	Sunk Screw	16	Stainless Steel	M8
3	Gasket	1	Rubber	EPDM
2	Bolts, Washers, Nuts	12	Stainless Steel	M16
1	Frame	1	Aluminum Alloy	LF5
NO.	NAME	QTY.	MATERIAL	REMARK

1		
Rev	Description	Date
Note	All dimensions are in millimeters unless otherwise specified.	
 Shanghai Zhiyou Marine & Offshore Equipment Co., Ltd Room 405, Fudan Software Park, 188 Changyi Road, Shanghai China. Tel: +86-21-5645-2367 Email: sales@zhiyoumarine.com info@marineoutfittings.com Web: www.zhiyoumarine.com www.marineoutfittings.com		
Dwg Name	Bolted Type Marine Porthole	
	Scale	1:4 @A3
	Sheet	1/1
Dwg No.	ZY-180105-Sir	-

The drawings are for reference only, not used as production drawings. 此圖紙僅供參考，不作為生產圖紙。